



V-P 500 SYSTEM
VERTICAL BAFFLES



PROJECT: Punto Blanco Shop (ES)
CONTRACTOR: D.A.T.I.S.A

BENEFITS

- Modern linear appearance
- Flexible sizes and configurations
- Highly customisable options & finishes
- Excellent acoustic performance
- Robust, engineered system
- Quick and easy to install

APPLICATION AREA

- Airports / Bus / Train Stations
- Retail and Education – Lecture theatres and Libraries
- Atriums, Lobbies, Reception Areas
- Leisure centres
- Open spaces that are acoustically challenged
- Plenum mask where continuous service access is required



COLOUR SELECTION



Global White



RAL colors#

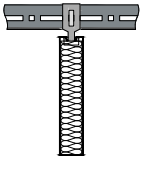
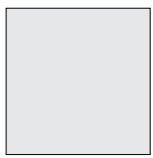
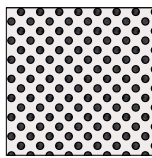
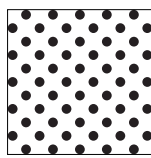


Wood Grain
Colors#

Available on request

PHYSICAL DATA

STANDARD PERFORATION PATTERNS

V-P 500	Plain	Microperforated	Microperforated
	 No perforations	 1.5 mm dia. holes 18% Open area	 1.8 mm dia. holes 20% Open area
Galvanised Steel (0.7mm) Aluminium (1.0mm) Panel length (A) 600 - 3000 mm Panel height (B) x Thickness (C) <ul style="list-style-type: none"> 100 x 30 mm 150 x 30 mm 200 x 30 mm 300 x 30 mm 400 x 30 mm 250 x 50 mm 	✓ ✓ ✓ ✓ ✓ ✓ ✓	✓ ✓ ✓ ✓ ✓ ✓ ✓	✓ ✓ ✓ ✓ ✓ ✓ ✓

System Armstrong ceiling system V-P 500, vertical baffle hook-on solution parallel aligned layout

Grid system U-profile with hanger for vertical baffle,

Panel material Galvanised steel sheet 0.7 mm (aluminium or further materials on request)

Coating Global White pure white post-coated powder painted visible surface, other RAL colours on request

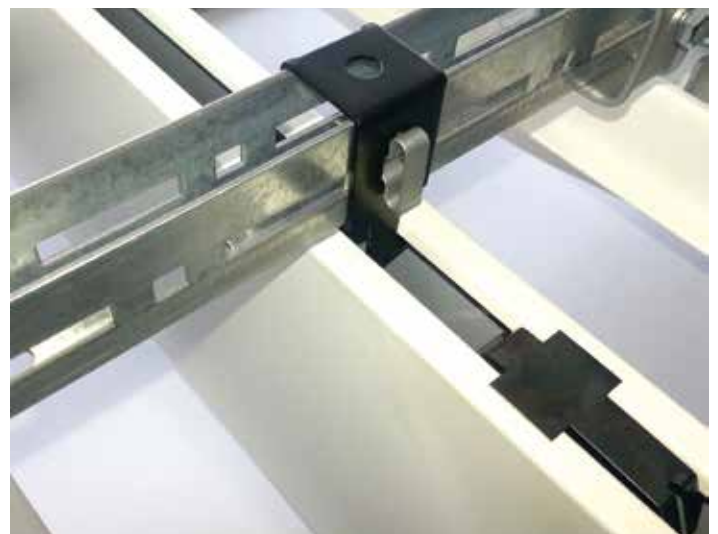
Execution Secured vertical baffle optional face cover available

Perforation Perforated vertical side, standard and custom

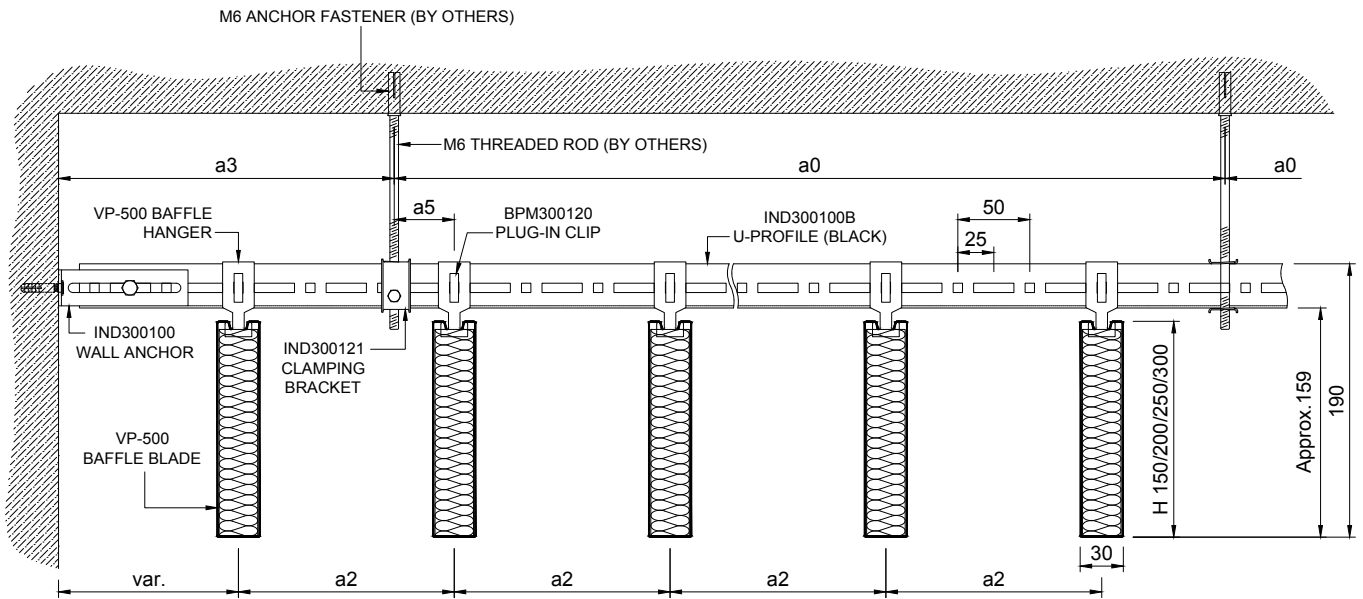
Acoustic inlay Acoustic pad with black fleece facing on both vertical side

Baffle height 100/150 mm / 200/250 mm / 300/400mm
 Baffle width 30 mm, 50 mm

Baffle length upto 3000 mm (further dimensions on request)

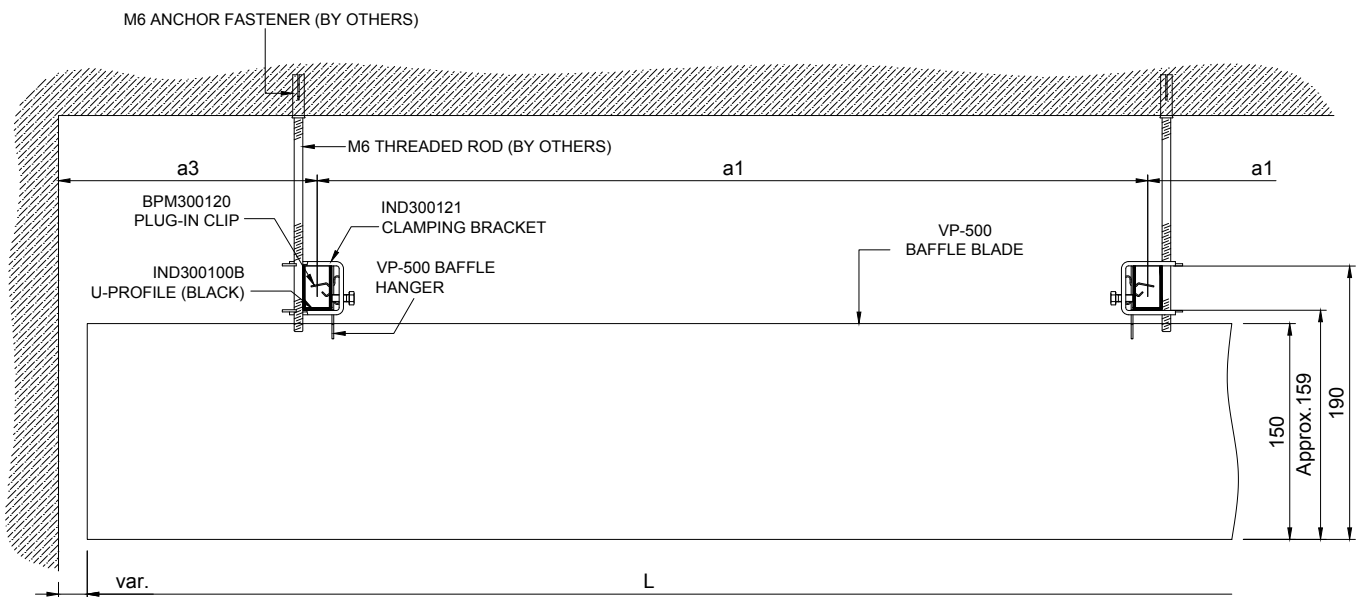


CROSS-SECTION



Section A - A

LONGITUDINAL-SECTION

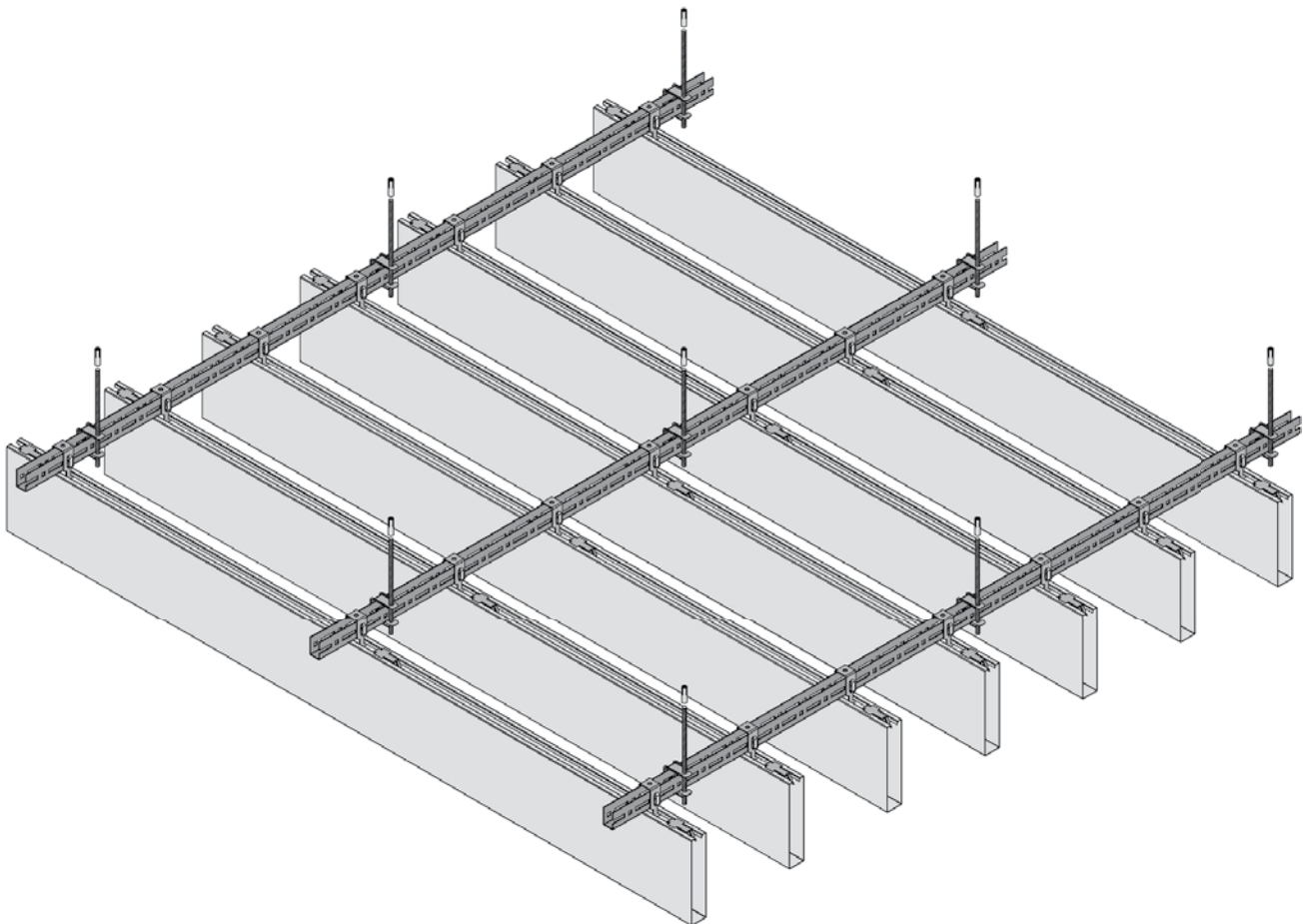
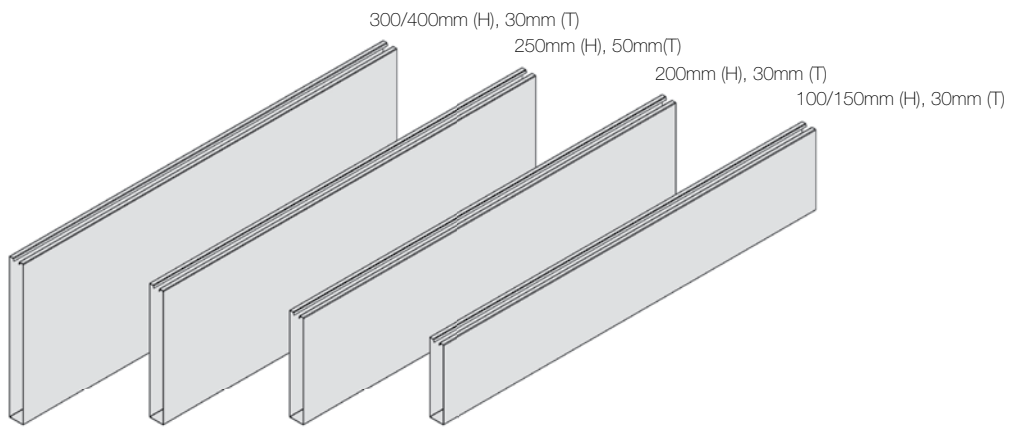


Section B - B

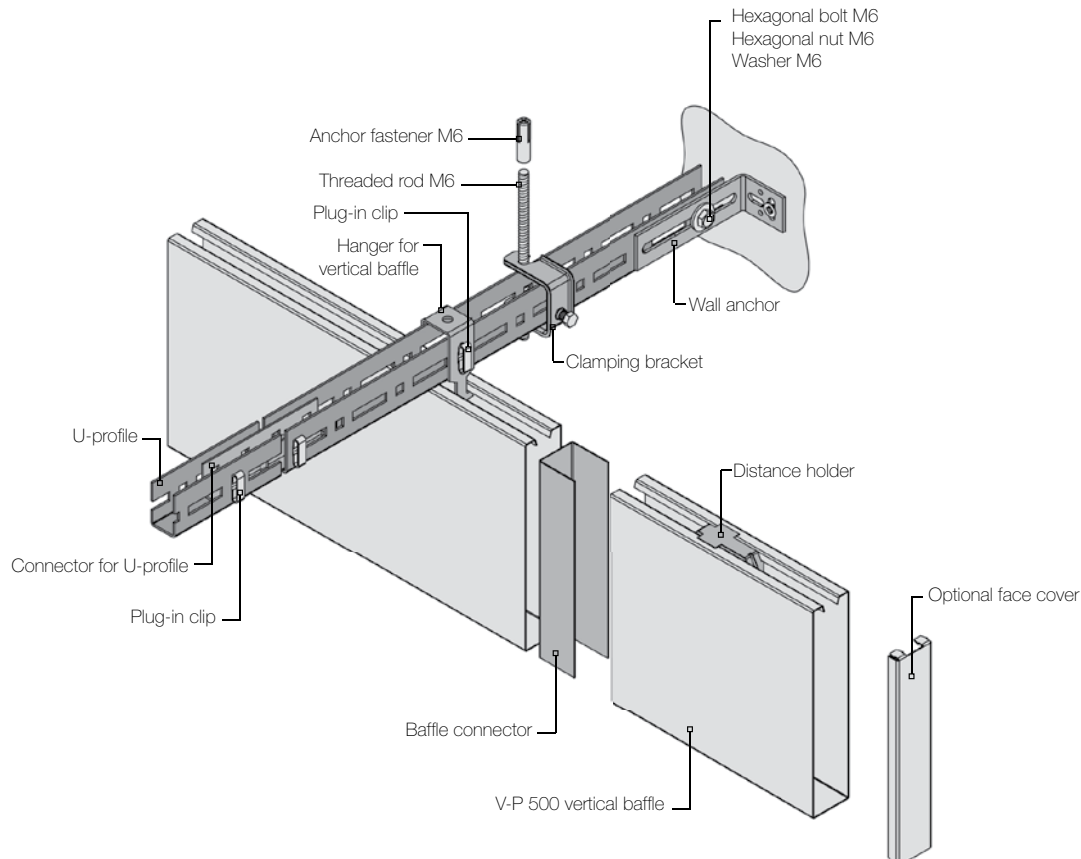
Item No.	Designation
IND 300100B	U-profile
IND 300119	Connector for U-profile
IND 300120B	Plug-in clip
IND 300100	Wall anchor
IND 300121	Clamping bracket
IND 300367	Hanger for vertical baffle
IND 311044	Distance holder

Item No.	Designation
Various	Baffle connector RAL 9005 (various heights)
Various	Face cover (various heights)

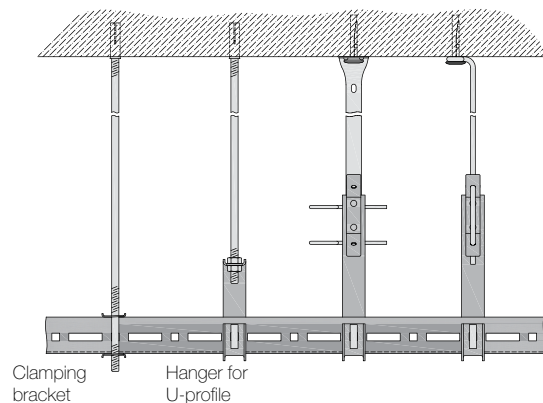
DETAIL A / V-P 500 VERTICAL BAFFLES



DETAIL B / GRID SYSTEM



DETAIL C / SUSPENSION METHOD



CONTACT US

Knauf Ceiling Solutions (India) Private Limited (Formerly known as WAVE Suspension Systems India Pvt. Ltd.)

Boomerang, A-304, Chandivali Farm Road (near Chandivali Studio) Andheri (E), Mumbai - 400 072.

Tel : 022-6285 0800, Fax: 2491 3604 | e-mail : Helpdeskindia@knaufarmstrong.com

Contact: 1860 266 7080

Branches:

Bengaluru	: +91-80 2657 6367	Chennai	: +91-44 4217 5303
Delhi	: +91-99 9989 1170	Hyderabad	: +91-40 6620 9368
Pune	: +91-84 1100 2914	Kolkata	: +91-93 3191 0333
Lucknow	: +91-84 0037 5375		

LA/500/092020

