



DEKO GV

Double Glazed Partition with High Sound Reduction







DEKO GV Double Glazed Partition with High Sound Reduction

It is proven that daylight has a considerable effect on general well-being and job satisfaction, and that unacceptable levels of noise in the working environment disturb concentration.

DEKO GV is a perfect solution when effective sound reduction is required while maintaining a light and elegant interior.

DEKO GV is based on a contemporary design, so it harmonises with many types of interiors including traditional office buildings, schools, public buildings, and laboratories, as well as modern state of the art buildings.

Individually Adaptable

Like all our products DEKO GV is prefabricated, systematised, and developed to be flexible and reusable.

DEKO GV is designed with a unique post construction that makes it possible to set up continuous glazed elements or to

combine them with solid panels of decoration or timber or with a matching door.

DEKO GV can also be built into concrete or drywalls as a single module if required.

The design of the post construction allows the designer to choose between a vertical or horizontal modular sequence. The cavity in the studs can be used to carry cables for sockets, etc.



Glazed elements are joined with slim 35 mm aluminium trims to create a light, minimalistic partition.



As standard aluminium components are white or natural anodised, but can be powder coated in other colours if required. To give the DEKO GV a perfect surface finish, trims are produced with a full aluminium cover profile or with a U-shaped decorative strip in either the same colour as the trim or as a contrast.

With its precise lines the DEKO GV double glazed partition adds an individual touch to the overall appearance of the partition.





Glazed Solutions to Meet All Requirements

The glass in DEKO GV partitions is chosen with reference to the safety, sound and fire requirements of the partition required.

4 to 12 mm thick glass can be incorporated according to specific requirements.

DEKO GV double glazed partitions are provided with 4 and 6 mm clear toughened safety glass or with float glass if safety glass is not required.



Customised Doors

We have developed a door system with a unique DEKO aluminium frame system to match our double glazed partitions.

Solid, glazed, fully glazed or glazed sliding doors can be incorporated in DEKO GV if required – as is possible with all our products. Doors are available to meet design, sound, and fire requirements.

DEKO Doors fitted within our aluminium frame provides a highly stable construction. It is possible to install DEKO doors in other types of DEKO partitions as well as in other types of concrete, brick, or drywalls.

DEKO Doors are available both as single or double leaf and in varying sizes. We produce a wide selection of standard accessories including handles, door closers, furniture, and lock boxes.



Sound Reduction

The distance between the two layers of glass and the use of two different glass thicknesses ensures highly effective airborne sound insulation. A sound reduction up to $R_w 39 \text{ dB}^*$ is achievable when using standard glass.

DEKO GV has been tested with many different types of glass. It is possible to achieve a sound reduction up to $R_w 49 \text{ dB}$, which is perfect for institutional and public buildings.

The slim aluminium trim construction is used for all DEKO GV partitions regardless of the sound requirements.

*) Official DELTA testing.





Fire Proofing

DEKO GV is tested and classified according to Danish and international fire certification standards. The system is tested and classified as an F30 construction if one layer is fitted using 7 mm fire rated glass.

As an alternative to double glazed partitions we produce the DEKO BK fire rated glazed partition and the DEKO FG Fire fully glazed partition, both tested and classified up to EI 60 and EI 120 respectively.

Decoration

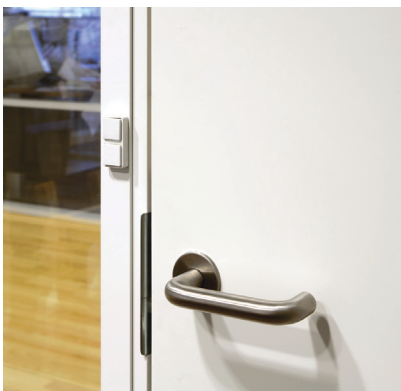
The construction of DEKO GV double glazed partitions allows for privacy to be incorporated. Applied film can be fitted directly on to the glass or integral blinds can be fitted between the two layers of glass.

If using applied film we recommend application in the form of stripes, patterns or text. In addition, it is possible to cover larger areas of glass in order to use it as whiteboard.

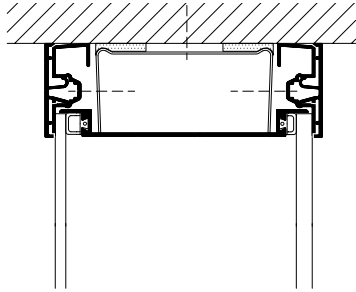
Maintenance free venetian blinds or vertical blinds in a wide selection of colours and materials can be inserted in the cavity between the two layers of glass. Venetian blinds can either be operated manually with a revolving wand, with a small thumb knob, or electrically by a motor-driven system.

All types of blinds are easy to maintain and can be incorporated when the partition is being constructed or retrospectively without having to change the glass.

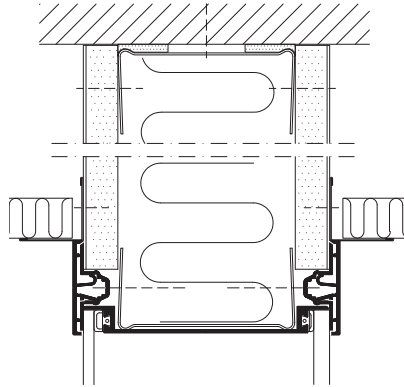




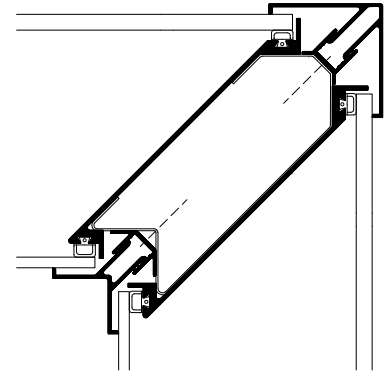
Details for DEKO GV



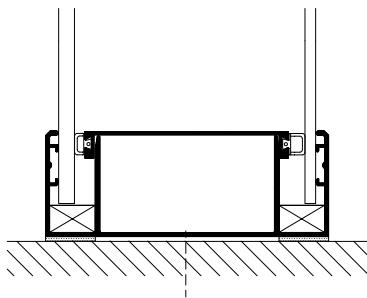
Fixed ceiling connection



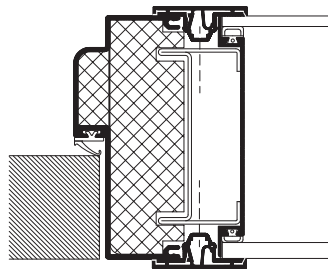
Suspended ceiling connection



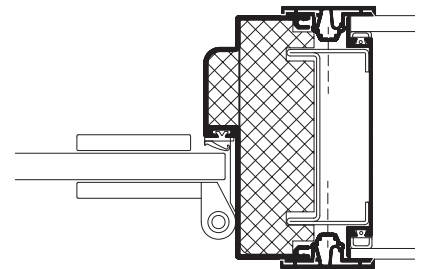
90° corner



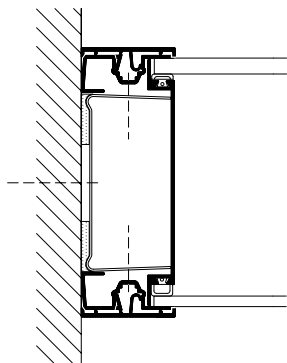
Floor connection



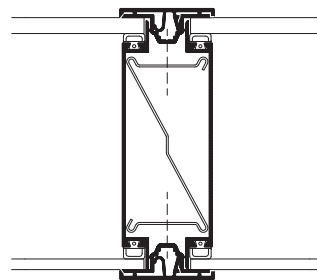
Solid door



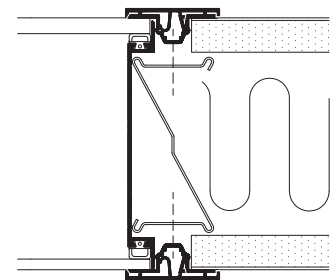
Fully glazed door



Abutment



Glass joint



Glass/gypsum board joint



Type Summary

Type	Partition Thickness (mm)	Layers of Glass	Glass Thickness and Type (mm)	Weight (kg/sqm)	Airborne Sound Insulation (Rw)	Fire Resistance
GV 1090	92	2	4 + 6 mm	25-35	39 (44) dB *	Unclassified
GV 1290	118	2	4 + 6 mm	25-45	39 (47) dB *	Unclassified
GV 1490	144	2	4 + 6 mm	25-35	39 (45) dB *	Unclassified
GV 1090 F30	92	2	4 mm float glass + 7 mm fire rated glass	30	37 dB	F30
GV 1290 F30	118	2	4 mm float glass + 7 mm fire rated glass	30	37 dB	F30

*) The sound insulation values in brackets have been achieved by incorporating other glass types than our standard glass. It is also possible to achieve values from 41-47 dB by using special glass.

For updated type values go to www.deko.com



DEKO partitions ltd of denmark was established in 1970 and presently has approximately 300 employees. DEKO is the leading producer of demountable, glazed, and folding partitions in Scandinavia and distributes its product range to more than 50 countries worldwide including Europe, Africa, and Asia in co-operation with established local distributors.



DEKO partitions llp
Maarkaervej 11
DK-2630 Taastrup
Denmark

Tel: +45 43 55 77 11
info@deko.com
www.deko.com